

## Nominal data

| Type                     | 612 NGMLE         |         |
|--------------------------|-------------------|---------|
| Nominal voltage          | VDC               | 12      |
| Nominal voltage range    | VDC               | 8 .. 15 |
| Speed                    | min <sup>-1</sup> | 3000    |
| Power input              | W                 | 0.7     |
| Min. ambient temperature | °C                | -20     |
| Max. ambient temperature | °C                | 80      |
| Air flow                 | m <sup>3</sup> /h | 25      |
| Sound power level        | B                 | 3.9     |
| Sound pressure level     | dB(A)             | 19      |

ml = Max. load · me = Max. efficiency · fa = Running at free air · cs = Customer specs · cu = Customer unit  
Subject to alterations

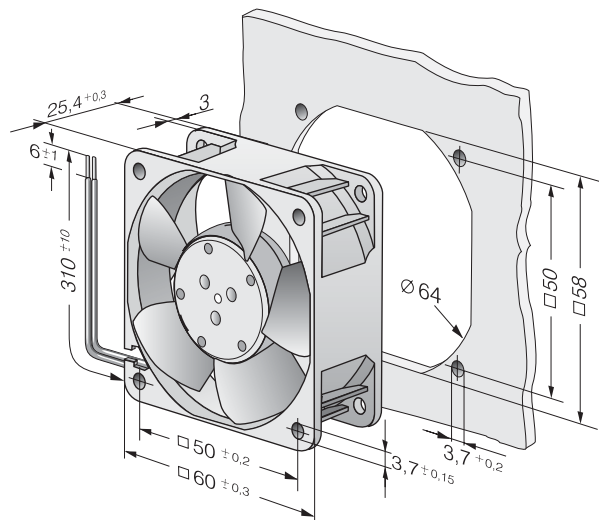
### Technical features

|                                            |                                                                                                                 |
|--------------------------------------------|-----------------------------------------------------------------------------------------------------------------|
| <b>Housing material</b>                    | Fibreglass-reinforced plastic (PBT)                                                                             |
| <b>Impeller material</b>                   | Fibreglass-reinforced plastic (PA)                                                                              |
| <b>Mass</b>                                | 0.066 kg                                                                                                        |
| <b>Dimensions</b>                          | 60 x 60 x 25 mm                                                                                                 |
| <b>Direction of air flow</b>               | Air exhaust over bars                                                                                           |
| <b>Direction of rotation</b>               | Right, looking at rotor                                                                                         |
| <b>Bearing</b>                             | Sintec sleeve bearing                                                                                           |
| <b>Lifetime L10 at 40 °C</b>               | 80000 h                                                                                                         |
| <b>Lifetime L10 at maximum temperature</b> | 32500 h                                                                                                         |
| <b>Connection line</b>                     | Single strands AWG 22, TR 64, bared and tin-plated.                                                             |
| <b>Motor protection</b>                    | Protected against reverse polarity and locking.                                                                 |
| <b>Locked-rotor protection</b>             | With electronic blocking and overload protection                                                                |
| <b>Approval</b>                            | VDE, CSA, UL, CE                                                                                                |
| <b>Option</b>                              | Special options:<br>Speed signal<br>Go / No-go alarm<br>Moisture protection<br>Protection rating: IP 54 / IP 68 |

612 NGMLE

# DC axial compact fan

## Product drawing



## Charts: Air flow

